

# 1-Light Cylinder Wall Sconce

<b>Part Number</b>	<b>Finish</b>
<b>A1102R-BK</b>	Black
<b>A1102R-BN</b>	Brushed Nickel

Project \_\_\_\_\_

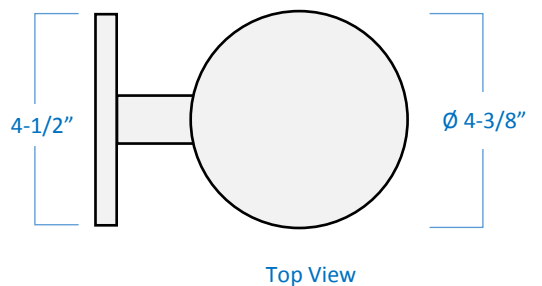
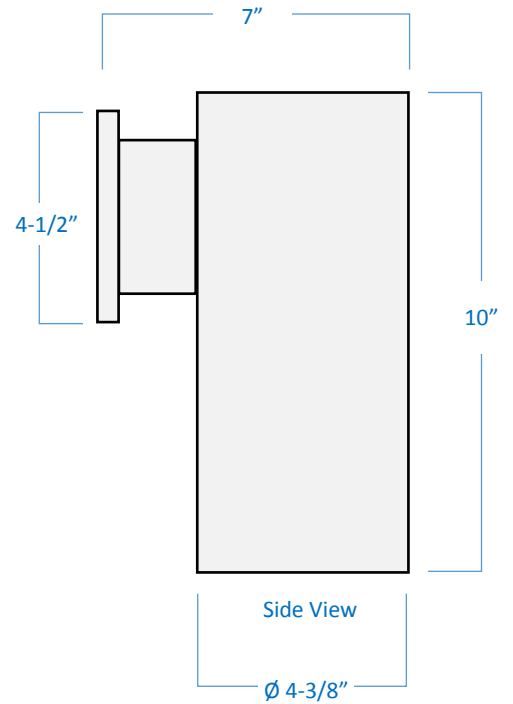
Date \_\_\_\_\_

Type \_\_\_\_\_

Location \_\_\_\_\_

## Product Specifications

Description	1-Light cylinder wall sconce Interior or exterior use Contemporary architectural design Downward lighting
Construction	Durable die cast aluminum Sealed top, open baffled bottom (baffle included)
Dimensions	4-3/8" Width x 10" Height x 7" Extension
Certifications	cETLus Listed Certified to CSA standards Suitable for wet locations
Lamp	1 x LED (E26 Medium Base) not included
Notes	<ul style="list-style-type: none"> <li>▪ 120V   60Hz</li> <li>▪ Vertical wall mounting only</li> <li>▪ Mounting hardware included</li> </ul>



Head Office: 151 Aviva Park Drive, Woodbridge, ON L4L 9C1  
 Ottawa Office: 200 Iber Road, Unit 5, Stittsville, ON K2S 0L5

Tel: 905-669-1230  
 Tel: 613-836-1977

© SanRemoLighting.com  
 Toll Free: 1-800-903-1115