

3" LED Round Slim Downlight

Product Code

AFR3-0730-BN

AFR3-0730-WH

Finish

Brushed Nickel

White

Project _____

Date _____

Type _____

Location _____

Product Specifications

Energy Used	7.5W = 50W Halogen
Dimensions	4-1/8" Outer Diameter x 1/2" Height
Cut Out	3-9/16"
Input Voltage	AC 120V 60Hz
Output Voltage	33-37V DC170MA
Lamp Life	36,000 hours
Initial Lumens	450lm
Colour Temperature	3000K (warm white)
Colour Rendering	> 80 CRI
Beam Angle	110°
Power Factor	> 0.9
Dim Capacity	Dimmable (with compatible dimmer)
Operating Temp.	-40°C ~ 40°C
Warranty	Limited 5 year (conditions may apply)
Approved Location	Insulated Ceiling (IC) & Wet Locations No housing required
Listed	cETLus / Energy Star



Brushed Nickel Finish



White Finish

Features

- Slim 1/2" design fits where ceiling space is limited
- Reduce labour time with fast and easy installation
- No junction box required



Includes integral driver
in connection box.
(No junction box required)



Head Office: 151 Aviva Park Drive, Woodbridge, ON L4L 9C1
Ottawa Office: 200 Iber Road, Unit 5, Stittsville, ON K2S 0L5

Tel: 905-669-1230
Tel: 613-836-1977

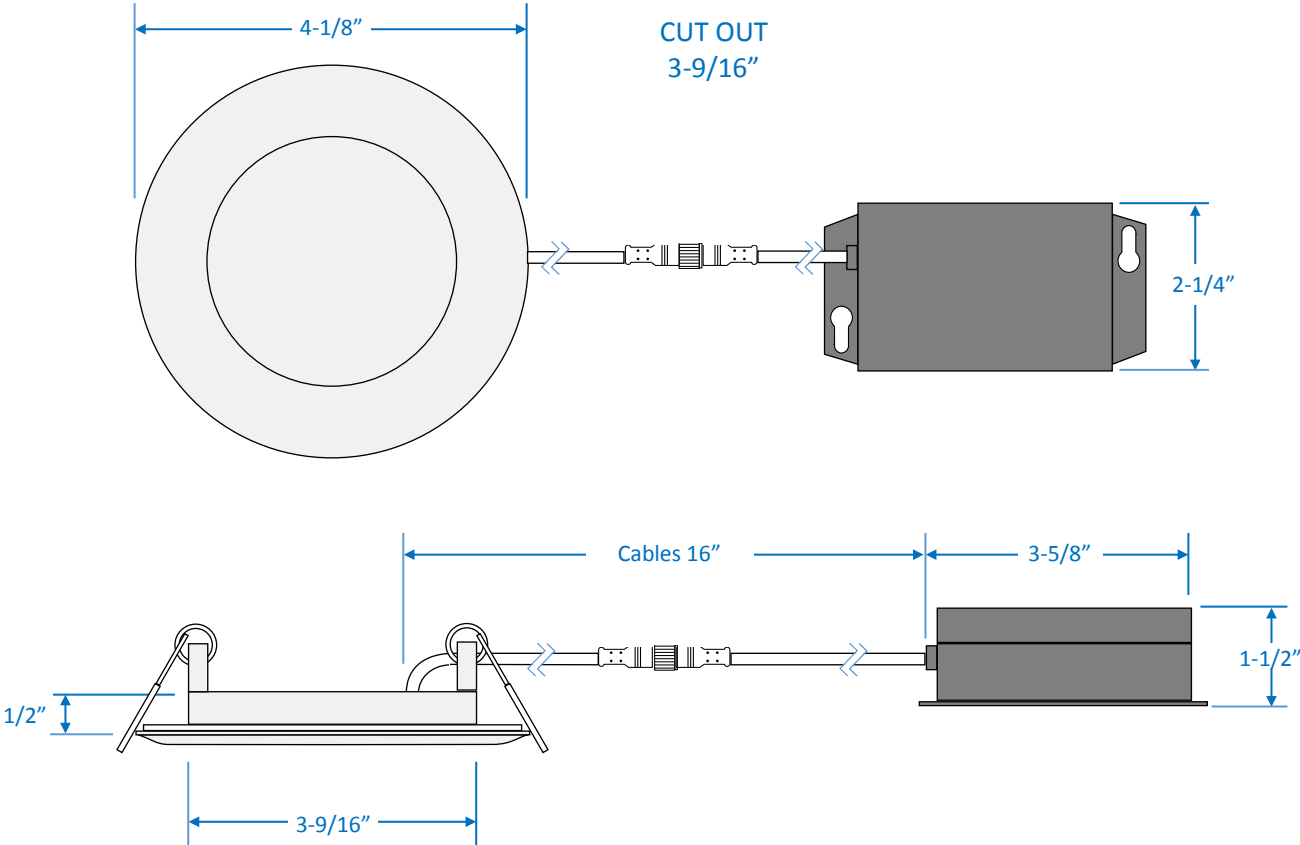
© SanRemoLighting.com
Toll Free: 1-800-903-1115

3" LED Round Slim Downlight

Product Code

AFR3-0730-BN

AFR3-0730-WH



DIMMER COMPATIBILITY LIST		
BRAND	MODEL	DIMMING RATE
LUTRON	CTCL-153PDH	100-20%
	CTCL-153P	100-20%
	CT-600P	100-20%
	DVCL-153P	100-20%
LEVITON	6672	100-20%
	6674	100-20%
PASS & SEYMOUR	HCL453PTCCCV6	100-20%

