

## Lamps

### 4" Recessed LED Retrofit

#### LTR411WH/D/30/ES



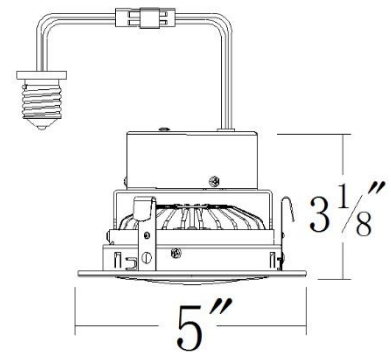
Job Name	_____
Date	_____
Type	_____
Location	_____
Comments	_____

#### LTR411SN/D/30/ES



### Product Specifications

Description:	4" LED Retrofit
Wattage:	8
Dimensions:	5" Overall Diameter 3 1/8" Height
Lens:	Flush Adjustable Gimbal, White
Base Type:	E26 Medium Base
Finish:	White (LTR411WH/D/30/ES) Satin Nickel (LTR411SN/D/30/ES)
Input Voltage:	120
Life:	36,000 hours
Initial Lumens:	730
Colour Temp:	3000K
CRI:	87
Beam Angle:	103°
Dimmable:	Yes (with compatible dimmer)
Power Factor:	>0.90
Equivalent:	60W Halogen
Operating Temp:	-40°C ~ 45°C
Listing:	Suitable for damp locations indoor use only
Certifications:	cUL / FCC / LM-79 / LM-80 / Energy Star



© 2016 San Remo Lighting. All rights reserved.

Head Office: 151 Aviva Park Drive, Woodbridge, Ontario, Canada L4L 9C1 Tel: 905-669-1230 [www.sanremolighting.com](http://www.sanremolighting.com)  
Ottawa Office: 200 Iber Road, Unit 5, Stittsville, Ontario, Canada K2S 0L5 Tel: 613-836-1977 Toll Free: 1-800-903-1115