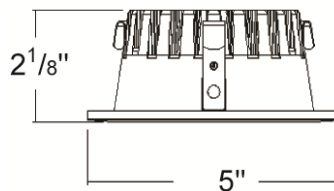


## Recessed Lighting

### 4" LED Trims

#### LT400



Job Name \_\_\_\_\_

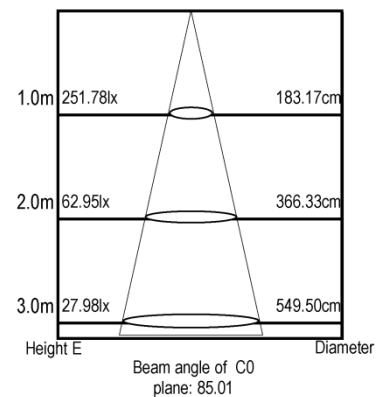
Date \_\_\_\_\_

Type \_\_\_\_\_

Location \_\_\_\_\_

Comments \_\_\_\_\_

#### Lux distance Curve



#### Product Specifications

Description:	Reflector Trim with Frosted Lens
Finish:	White
Dimensions:	5" Outer Diameter
Lamp:	10 x 1.2W high power LED (total 12 watts)
Lens:	Frosted
Life:	50,000 hours at 70% lumen maintenance
Initial Lumens:	565 at 3000K ( $\pm 200$ ) colour temperature (4000K available upon request)
CRI:	82
Beam Angle:	30°
Compatible Housings:	LD400ICA (new construction) and LD400R (retrofit)

#### Housing Features

- Aesthetically pleasing pure white light
- Very low power consumption
- More than 45% savings compared to compact fluorescent and more than 85% savings compared to halogen/xenon
- Thermally protected
- Suitable for damp locations
- Molex connector for fast and easy wiring
- Die cast heat sink provides low heat operation and ensures long LED life
- Class 2 Constant Current LED driver, 350mA
- 10 ~ 100 dimmable with 120V AC electronic low voltage wall box dimmer
- For 120V 50-60Hz systems
- Driver installed on junction box for easy access from below ceiling
- 3 year warranty



© 2016 San Remo Lighting. All rights reserved.

Head Office: 151 Aviva Park Drive, Woodbridge, Ontario, Canada L4L 9C1 Tel: 905-669-1230 www.sanremolighting.com  
Ottawa Office: 200 Iber Road, Unit 5, Stittsville, Ontario, Canada K2S 0L5 Tel: 613-836-1977 Toll Free: 1-800-903-1115