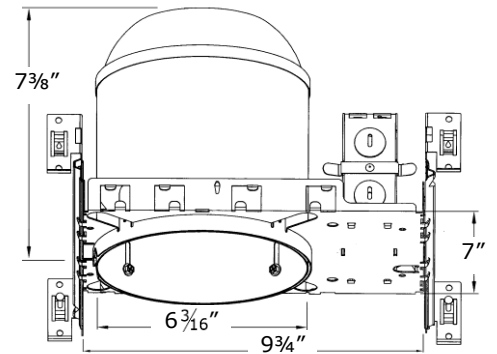


# Recessed Lighting 6" Line Voltage Housings

## H600



Job Name	_____
Date	_____
Type	_____
Location	_____
Comments	_____



### Product Specifications

Description: Line voltage new construction housing  
Dimensions: 9 3/4" Length by 7 3/8" Height  
Lamp: 1 x 150W PAR38 / R40 Max  
Listings: UL damp location with feed through wiring

### Housing Features

- For use in non-insulated ceilings or 3" space between housing and insulation
- Adjustable hanger bars with 8" to 25" joist span
- Integral T-Bar installation slots
- Hanger bars can be repositioned 90 degrees on the sides of the plaster frame for special applications
- Thermally protected
- Junction box is listed for through branch circuit wiring and has seven 1/2" knockouts
- Four Romex pry-outs with strain relief simplify Romex installation
- 4-port quick connector pre-installed in j/box

