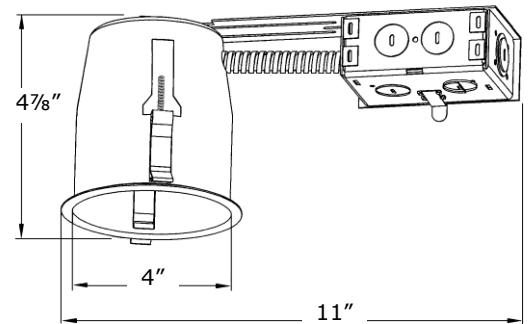


Recessed Lighting

4" Line Voltage Housings

H400R

Job Name	_____
Date	_____
Type	_____
Location	_____
Comments	_____



Product Specifications

Description:	Line voltage remodel post drywall housing
Dimensions:	11" Length by 4 7/8" Height
Lamp:	1 x 50W 120V MR16 E26 / PAR20 / R20 Max
Listings:	UL damp location with feed through wiring

Housing Features

- Two durable screw-down clips secure housing and accommodate various ceiling thickness
- Unit slips through 4 1/4" ceiling opening
- For use in non-insulated ceilings or 3" space between housing and insulation
- Thermally protected
- Junction box is listed for through branch circuit wiring and has seven 1/2" knockouts
- Four Romex pry-outs with strain relief simplify Romex installation
- 4-port quick connector pre-installed in j/box

*For plaster frames go to Housing Accessories

