

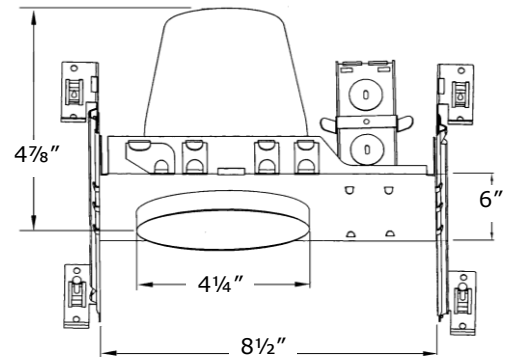
Recessed Lighting

4" Line Voltage GU10 Housings

H400GU



Job Name	_____
Date	_____
Type	_____
Location	_____
Comments	_____



Product Specifications

Description:	Line voltage new construction housing
Dimensions:	8 1/2" Length by 4 7/8" Height
Lamp:	1 x 50W 120V GU10 Max
Listings:	UL damp location with feed through wiring

Housing Features

- For use in non-insulated ceilings or 3" space between housing and insulation
- Adjustable hanger bars with 7" to 25" joist span
- Integral T-Bar installation slots
- Hanger bars can be repositioned 90 degrees on the sides of the plaster frame for special applications
- Thermally protected
- Junction box is listed for through branch circuit wiring and has seven 1/2" knockouts
- Four Romex pry-outs with strain relief simplify Romex installation
- 4-port quick connector pre-installed in j/box



© 2016 San Remo Lighting. All rights reserved.

Head Office: 151 Aviva Park Drive, Woodbridge, Ontario, Canada L4L 9C1 Tel: 905-669-1230 www.sanremolighting.com
Ottawa Office: 200 Iber Road, Unit 5, Stittsville, Ontario, Canada K2S 0L5 Tel: 613-836-1977 Toll Free: 1-800-903-1115